



# Double Watch Winder

STORES AND WINDS TWO AUTOMATIC WATCHES



## TABLE OF CONTENTS

Location of Controls .....2

Setting up the Watch Winder .....3

Daily Operation .....4

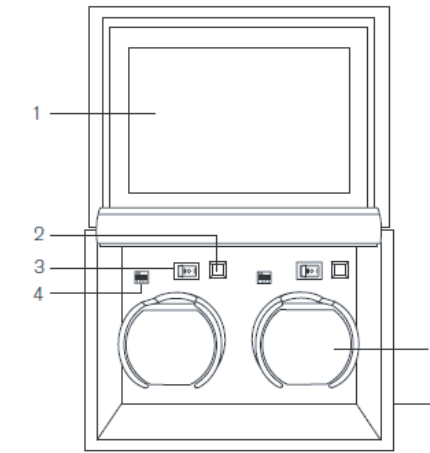
Resetting the Timer .....5

Care and Maintenance .....5

Cautions and Warnings ..... 5 - 7

Guarantee .....8

## LOCATION OF CONTROLS



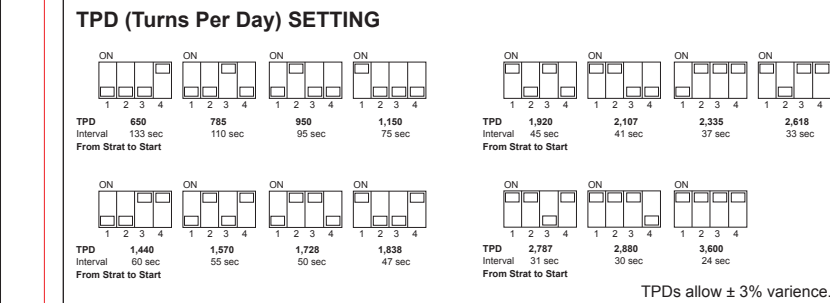
- 1. Main Housing Lid
- 2. On/Off Button (2)
- 3. Directional Switch (2)
- 4. TPD (Turns Per Day) Switch (2)
- 5. Watch Cushion and Mount (2)
- 6. Main Housing

## SETTING UP THE WATCH WINDER

The two ON/OFF BUTTONS control the power of each WATCH MOUNT separately.  
The two three-position DIRECTIONAL SWITCHES control the direction of winding:

- I Clockwise
- O Counterclockwise
- II Automatic Bidirectional

The two four-position TPD (Turns-Per Day)SWITCHES control the watch winding sequences. Please see sequence chart below:



Note: All switches in the down position while the main power is ON will result in constant motion.

## DAILY OPERATION

1. Plug Adapter into connection on the bottom of the unit, being careful not to scratch the finish as you turn the unit over, and plug into wall outlet.
2. Pull WATCH CUSHION off WATCH MOUNT.
3. Affix watch around WATCH MOUNT with the watch face on top and secure with WATCH CUSHION.
4. Choose desired direction from the list on page 3 and adjust the DIRECTIONAL SWITCH accordingly.
5. Choose desired sequence and adjust the TPD SWITCH accordingly.

**Note: If you do not know what direction or how many TPD your watch requires, begin with the first, most popular settings (650-1,150 TPD).**

6. Turn power on with the ON/OFF BUTTON.
7. Repeat steps 2 through 6 for the second WATCH MOUNT to wind an additional timepiece.

**Note: Do not insert or remove any watch while mechanism is turning.**

## RESETTING THE TIMER

To reset the timer, switch the power off then unplug the Adapter from the back of the winder for 3 seconds. Insert Adapter back into winder and switch the power on.

## CARE AND MAINTENANCE

Wipe with a soft, dry cloth. Do not use abrasive cleaning agents.

## CAUTION

- TO REDUCE THE RISK OF ELECTRIC SHOCK, DO NOT REMOVE COVER. THERE ARE NO SERVICEABLE PARTS INSIDE.
- TO REDUCE THE RISK OF FIRE OR ELECTRIC SHOCK, DO NOT EXPOSE THIS UNIT TO RAIN OR MOISTURE.



The lightning flash with arrow-head symbol within an equilateral triangle is intended to alert the user to the presence of uninsulated "dangerous voltage" within the unit's enclosure that may be of sufficient magnitude to constitute a risk of electric shock.



The exclamation point within an equilateral triangle is intended to alert the user to the presence of important operating and maintenance (servicing) instructions in the literature accompanying the unit.

## IMPORTANT SAFETY INSTRUCTIONS

All the safety and operating instructions should be read, adhered to and followed before the unit is operated.

## SAFETY CONCERN

- Always unplug the unit from the electrical outlet when winder is not in use.
- Do not place or store the winder where it can fall into water.
- Do not place or drop the winder into water or any liquid.
- If the winder has fallen into water. Unplug it immediately.
- Care should be taken so that objects do not fall and liquids are not spilled onto the unit.
- The unit should be situated away from direct sunlight or heat sources such as radiators, electric heaters, heat registers, stoves or other units (including amplifiers) that produce heat. Avoid placing on top of stereo equipment that radiates heat.
- Do not overload electrical outlet. Use only the power source as indicated.
- Do not carry this unit by cord or use cord as handle.
- Never operate this unit if it has a damaged cord or plug, if it is not working properly, or if it has been dropped or damaged.

## WARNING

1. Close supervision is necessary when this unit is used by or near children.
2. Use this unit only for its intended use as described in this manual.
3. Unplug this unit during lightning storms or when unused for long periods of time.
4. Never drop or insert an object into any opening.
5. Protect the power cord from being walked on or pinched, particularly at plug outlets, convenience receptacles and the point where it exits the unit.
6. Do not allow cord to touch hot surfaces. Wrap cord loosely around the unit when storing.
7. Never block the air openings of the unit with materials such as clothing, plastic bags or papers, or place it on a soft surface such as a bed or couch, where the air openings may be blocked.
8. Please do not use other than specifically provided AC/DC adaptor, it might cause mechanical damage.
9. Please do not disassemble the winder housing, it might cause mechanical damage.
10. Do not operate in the presence of explosive and/or flammable fumes.

## GUARANTEE

We guarantee this new Watch Winder for the owner for 12 months from date of purchase.

Within this guarantee period, we shall compensate the owner free of charge for all faults arising from material or manufacturing defects.

We reserve the right to choose whether this will be through repair or replacement of the Watch Winder.

If we choose to replace, we are entitled to supply a model of equivalent value.

This guarantee excludes damage from careless handling and repairs by unqualified persons, as well as damage from inaccurate use.

A condition of our fulfilling the term of the guarantee is that the guarantee card is properly completed and that the receipt is attached.

Date Of Purchase: \_\_\_\_\_

Vendor: \_\_\_\_\_

Receipt No.: \_\_\_\_\_

Dealer: \_\_\_\_\_

